

Universal Coupling

AW36/1

DN50 - DN700 (EPDM)

PN 16

Universal Coupling provide the ultimate in pipe connection flexibility, enabling fast, easy, effective connections between pipe and most recognised pipe materials.

Technical Details

Maximum Working Pressure PFA:

16 bar / PN16

Working temperature:

Maximum +70°C

Coating:

300 µm FBE coating, external and internal

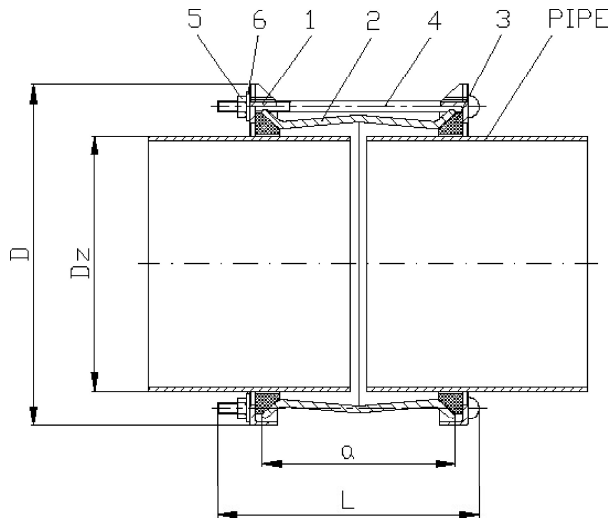
Application:

Potable Water , Irrigation Water , TSE Water, Sewerage Water & Chilled Water
Connecting pipes suitable for steel, cast iron, ductile iron, asbestos-cement and UPVC.

Design features

- The maximum axial deviation $2x \pm 3^\circ$.
- The bolt ends are protected with plastic caps.
- Drinking water approved EPDM gasket.





No	Part Name	Material
1	Gland	Ductile Iron EN-GJS-500-7
2	Body	Ductile Iron EN-GJS-500-7
3	Gasket	Elastomer EPDM
4	Bolt	Stainless Steel X5CrNiMo17-12-2 / 1.4401 / 316
5	Nut	Stainless Steel X5CrNiMo17-12-2 / 1.4401 / 316
6	Washer	Stainless Steel X5CrNiMo17-12-2 / 1.4401 / 316

Dimension (mm & kg)

DN	Code	PN	Dz [mm]	D [mm]	L [mm]*	a [mm]	Weight kg
50	AH7176	PN10/PN16	59-72	160	180	102	4,2
65	AH7177	PN10/PN16	72-85	169	180	102	5,4
80	AH7178	PN10/PN16	88-103	200	180	102	6,0
100	AH7373	PN10/PN16	93-117	208	180	102	7,0
100	AH7374	PN10/PN16	105-122	216	180	102	7,0
100	AH7179	PN10/PN16	109-128	217	180	102	7,0
125	AH7376	PN10/PN16	125-140	238	180	102	8,8
125	AH7377	PN10/PN16	132-146	246	180	102	8,8
125	AH7378	PN10/PN16	138-153	254	180	102	8,8
150	AH7379	PN10/PN16	155-175	270	200	102	11,0
150	AH7180	PN10/PN16	159-182	276	200	102	11,0
200	AH7381	PN10/PN16	192-210	310	220	130	12,6
200	AH7181	PN10/PN16	218-235	333	220	130	14,6
225	AH7383	PN10/PN16	230-247	350	230	130	20,0
225	AH7384	PN10/PN16	235-252	355	230	130	20,0
225	AH7385	PN10/PN16	250-267	360	230	130	20,0
250	AH7386	PN10/PN16	265-280	377	230	130	20,0
250	AH7387	PN10/PN16	272-289	386	230	130	21,0
300	AH7182	PN10/PN16	315-332	433	230	130	22,0
300	AH7389	PN10/PN16	322-339	449	230	130	22,6
300	AH7390	PN10/PN16	332-349	460	230	130	22,6
350	AH7391	PN10/PN16	351-368	500	250	150	43,3
350	AH7184	PN10/PN16	374-391	516	250	150	43,3
350	AH7393	PN10/PN16	386-415	524	250	150	45,0
400	AH7394	PN10/PN16	400-429	563	250	150	49,5
400	AH7395	PN10/PN16	410-436	568	250	150	49,5
400	AH7185	PN10/PN16	417-437	568	250	150	49,5
400	AH7397	PN10/PN16	425-442	575	250	150	49,5
450	AH7186	PN10/PN16	480-500	635	250	150	62,0
500	AH7399	PN10/PN16	500-532	675	250	150	68,5
500	AH7187	PN10/PN16	526-546	690	250	150	68,5
500	AH7401	PN10/PN16	555-572	720	250	150	70,0
600	AH7402	PN10/PN16	600-630	780	250	150	85,0
600	AH7188	PN10/PN16	630-650	782	250	150	85,0
700	AH7404	PN10/PN16	710-745	895	250	150	115,0